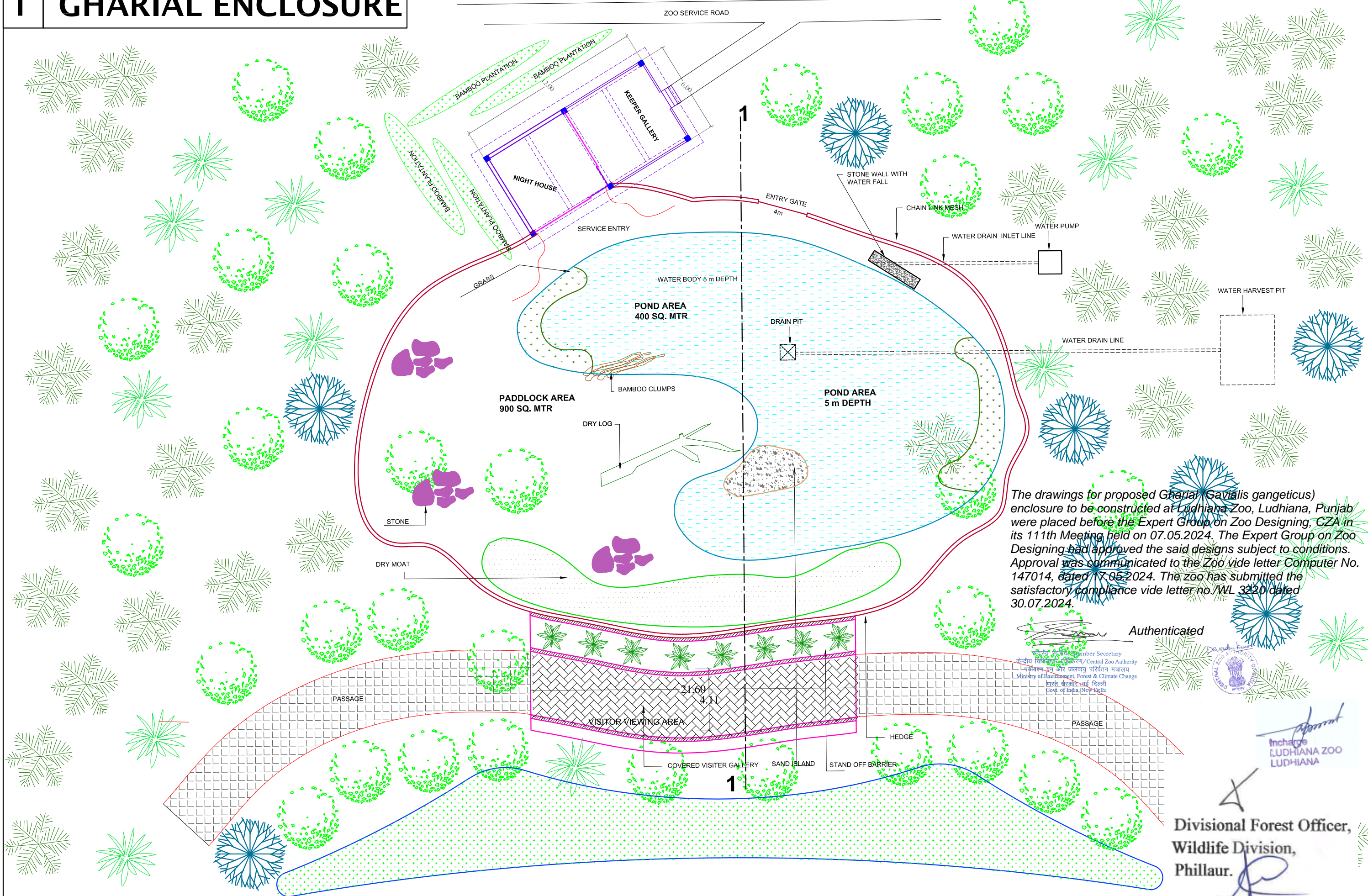


1 GHARIAL ENCLOSURE



The drawings for proposed Gharial (*Gavialis gangeticus*) enclosure to be constructed at Ludhiana Zoo, Ludhiana, Punjab were placed before the Expert Group on Zoo Designing, CZA in its 111th Meeting held on 07.05.2024. The Expert Group on Zoo Designing had approved the said designs subject to conditions. Approval was communicated to the Zoo vide letter Computer No. 147014, dated 17.05.2024. The zoo has submitted the satisfactory compliance vide letter no./WL 3220 dated 30.07.2024.

Authenticated
 Member Secretary
 Central Zoo Authority
 Ministry of Environment, Forest & Climate Change
 Govt. of India, New Delhi



Incharge
 LUDHIANA ZOO
 LUDHIANA

Divisional Forest Officer,
 Wildlife Division,
 Phillaur.

1 LUDHIANA ZOO

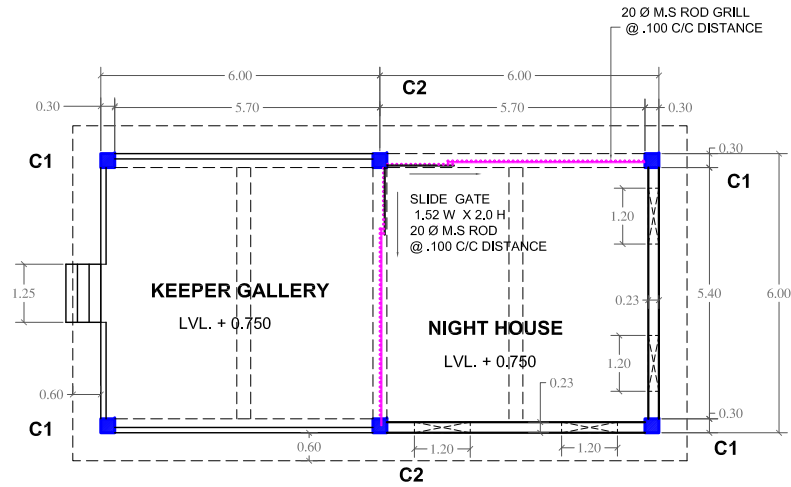
PADDLOCK AREA = 900 SQ. MTR
 POND AREA = 400 SQ. MTR
 TOTAL PERIMETER = 111 MTR
 VIEWING PERIMETER = 20 MTR

GENERAL NOTICE
 1. DRAWING HAS BEEN ISSUED EXCLUSIVELY FOR THE PURPOSE OF INITIAL ANALYSIS OF EXISTING CONDITIONS OF THE ZOO AS PER DRAWING TITLE. PRIOR PERMISSION OF THE ARCHITECT IS NECESSARY FOR THE USE OF THIS DRAWING FOR ANY OTHER PURPOSE.
 2. ALL DIMENSIONS ARE IN METER.
 3. THE DRAWING IS TO BE READ NOT MEASURED.

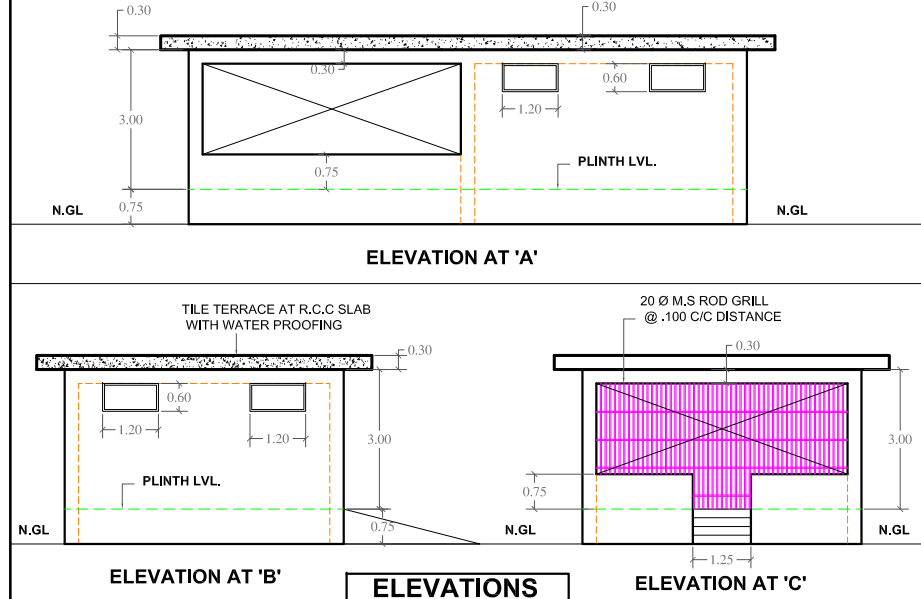
DRAWING TITLE
**LAYOUT PLAN OF
 GHARIAL ENCLOSURE**

SCALE : 1=500
 DATED : 07/2024

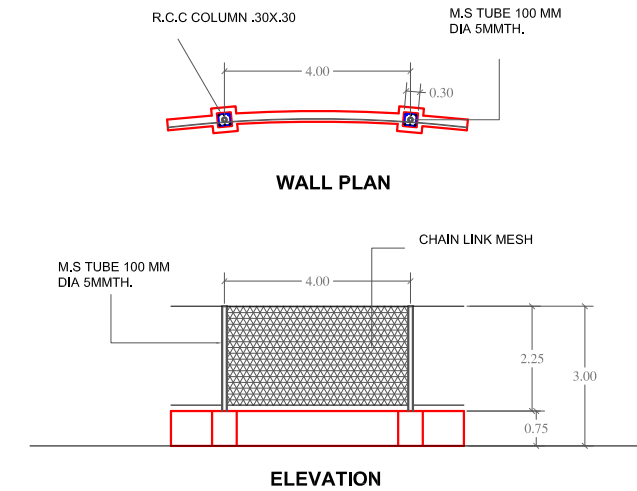
DZINE SPACE
 ENGINEERS & CONSULTANTS
 B-37- 177/412, NEAR WATER TANK DUGRI LUDHIANA
 email: dzineinspaceengineer@gmail.com



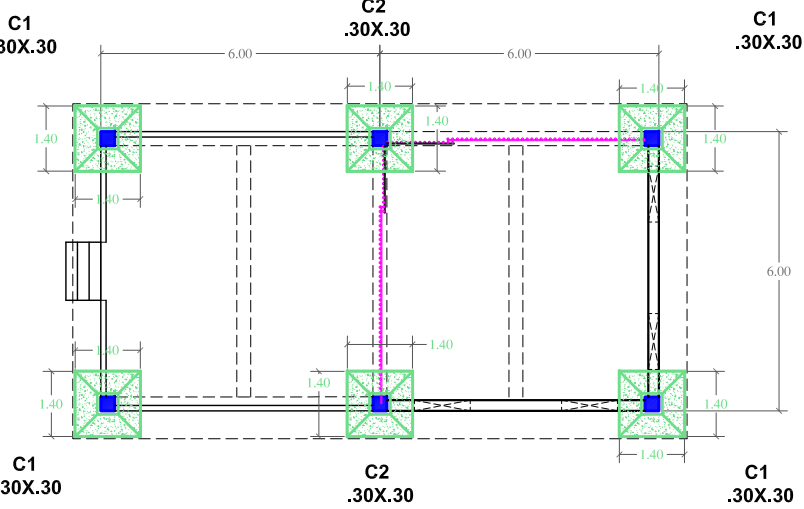
WORKING PLAN



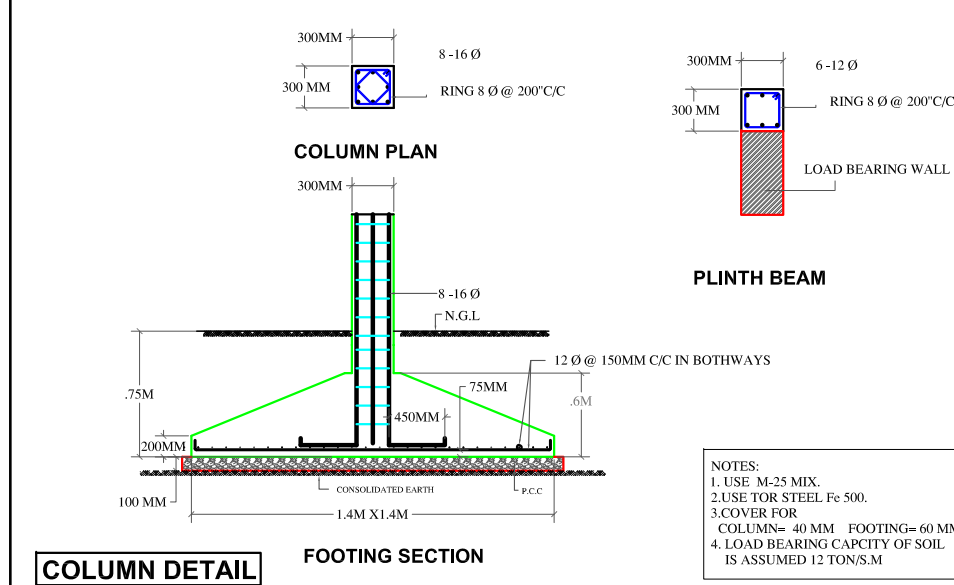
ELEVATIONS



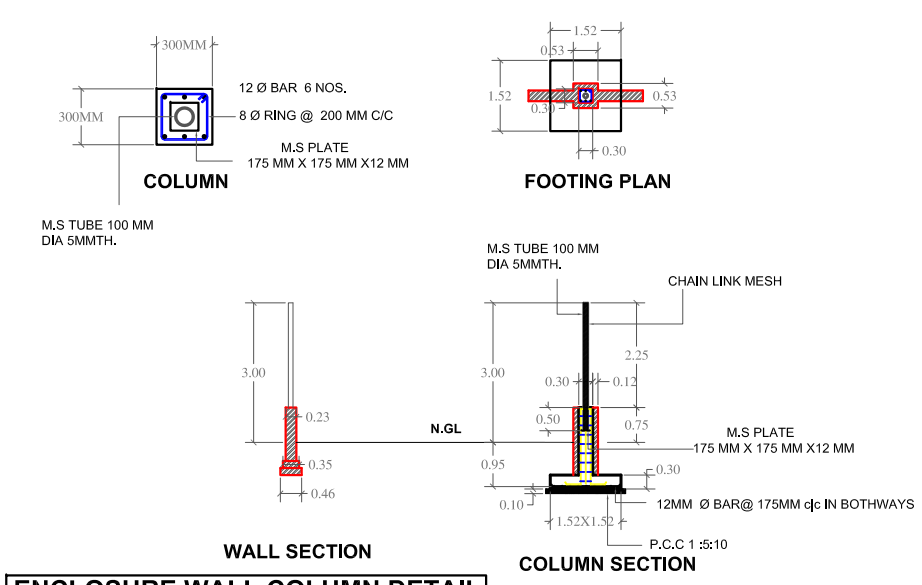
ENCLOSURE WALL DETAIL



FOOTING PLAN



COLUMN DETAIL



ENCLOSURE WALL COLUMN DETAIL

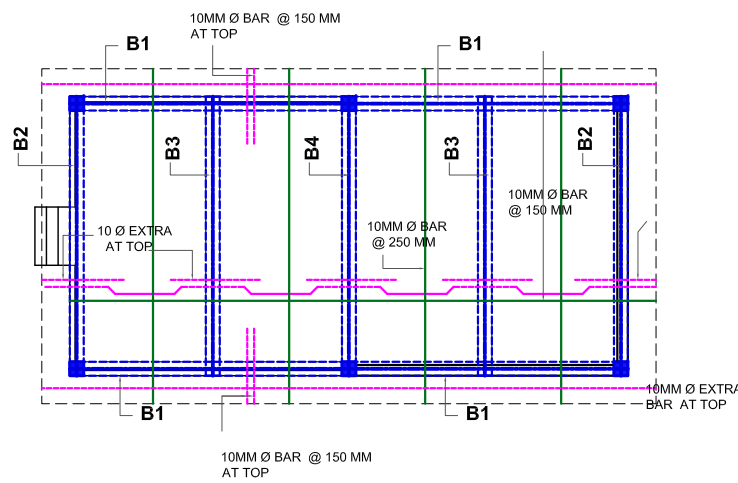
The drawings for proposed Gharial (*Gavialis gangeticus*) enclosure to be constructed at Ludhiana Zoo, Ludhiana, Punjab were placed before the Expert Group on Zoo Designing, CZA in its 111th Meeting held on 07.05.2024. The Expert Group on Zoo Designing had approved the said designs subject to conditions. Approval was communicated to the Zoo vide letter Computer No. 147014, dated 17.05.2024. The zoo has submitted the satisfactory compliance vide letter no./WL 3220 dated 30.07.2024.

Authenticated
 सदस्य साचेव / Member Secretary
 केन्द्रीय विज्ञानपर प्राधिकरण / Central Zoo Authority
 पर्यावरण वन और जलवायु परिवर्तन मंत्रालय
 Ministry of Environment, Forest & Climate Change
 भारत सरकार, नई दिल्ली
 New Delhi

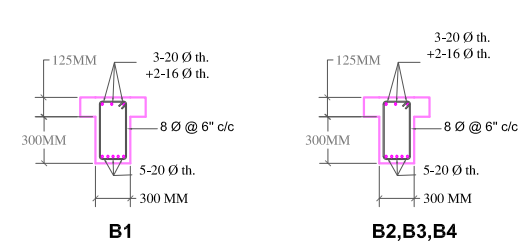


Divisional Forest Officer,
 Wildlife Division,
 Phillaur.

Incharge
 LUDHIANA ZOO
 LUDHIANA



SLAB STRUCTURE PLAN



SLAB BEAMS DETAIL

NOTES:
 1. USE M-20 MIX.
 2. USE TOR STEEL Fe 500.
 3. CLEAR COVER FOR SLAB= 20 MM BEAM= 25 MM
 4. SLAB THICKNESS 125 MM OTHER THAN SPECIFIED
 5. BAR BENDING MUST BE ACCORDING TO 'STANDARD BAR BENDING' SCHEDULE.

GENERAL NOTICE

1. DRAWING HAS BEEN ISSUED EXCLUSIVELY FOR THE PURPOSE OF INITIAL ANALYSIS OF EXISTING CONDITIONS OF THE ZOO AS PER DRAWING TITLE. PRIOR PERMISSION OF THE ARCHITECT IS NECESSARY FOR THE USE OF THIS DRAWING FOR ANY OTHER PURPOSE.
 2. ALL DIMENSIONS ARE IN METER.
 3. THE DRAWING IS TO BE READ NOT MEASURED.

DRAWING TITLE

GHARIAL ENCLOSURE DETAILS

SCALE : 1=500

DATED : 09/07/2024

DZINE SPACE

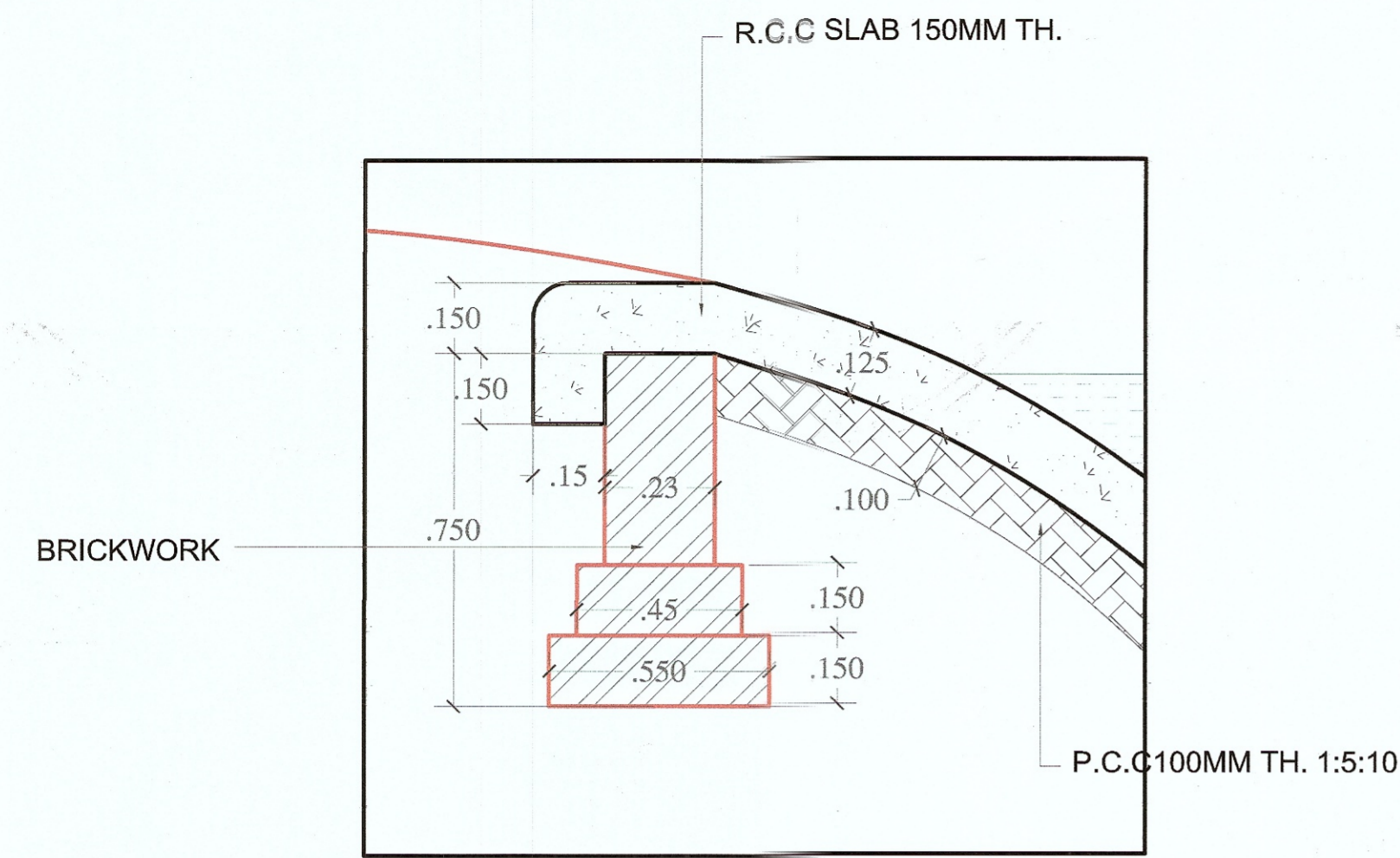
ENGINEERS & CONSULTANTS

B-37- 177/412, NEAR WATER TANK DUGRI LUDHIANA

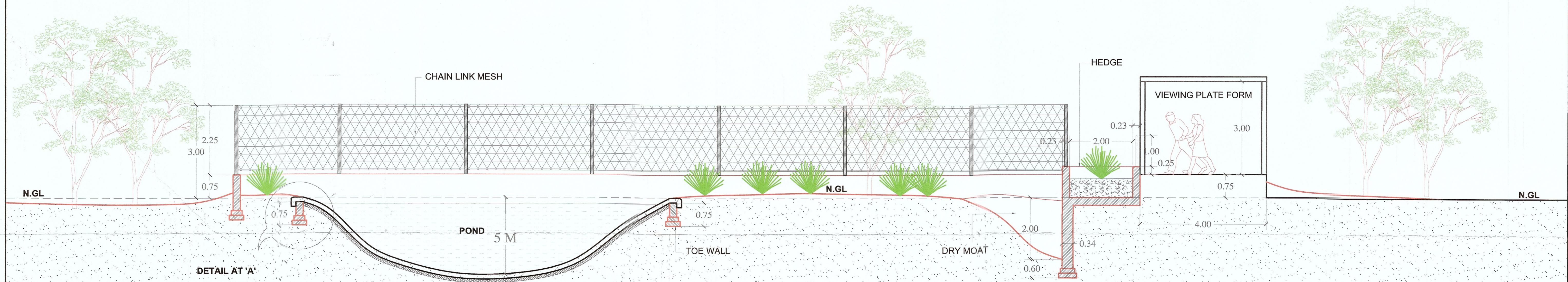
email: dzineenspaceengineer@gmail.com

PADDLOCK AREA = 900 SQ. MTR
 POND AREA = 250 SQ. MTR
 TOTAL PERIMETER = 111 MTR
 VIEWING PERIMETER = 20 MTR

POND SECTION DETAIL DETAILS



DETAIL AT 'A-A'



DETAIL AT 'A'

SECTION AT '1-1'

The drawings for proposed Gharial (*Gavialis gangeticus*) enclosure to be constructed at Ludhiana Zoo, Ludhiana, Punjab were placed before the Expert Group on Zoo Designing, CZA in its 111th Meeting held on 07.05.2024. The Expert Group on Zoo Designing had approved the said designs subject to conditions. Approval was communicated to the Zoo vide letter Computer No. 147014, dated 17.05.2024. The zoo has submitted the satisfactory compliance vide letter no./WL 3220 dated 30.07.2024.

Authenticated
Member Secretary
 Wildlife Division, Punjab
 Ministry of Environment, Forest & Climate Change
 Govt. of India, New Delhi



Signature
 Incharge
 LUDHIANA ZOO
 LUDHIANA

Divisional Forest Officer,
 Wildlife Division, Phillaur

GENERAL NOTICE

1. DRAWING HAS BEEN ISSUED EXCLUSIVELY FOR THE PURPOSE OF INITIAL ANALYSIS OF EXISTING CONDITIONS OF THE ZOO AS PER DRAWING TITLE. PRIOR PERMISSION OF THE ARCHITECT IS NECESSARY FOR THE USE OF THIS DRAWING FOR ANY OTHER PURPOSE.
2. ALL DIMENSIONS ARE IN METER.
3. THE DRAWING IS TO BE READ NOT MEASURED.

DRAWING TITLE

**GHARIAL ENCLOSURE
 DETAILS**

SCALE : 1=500

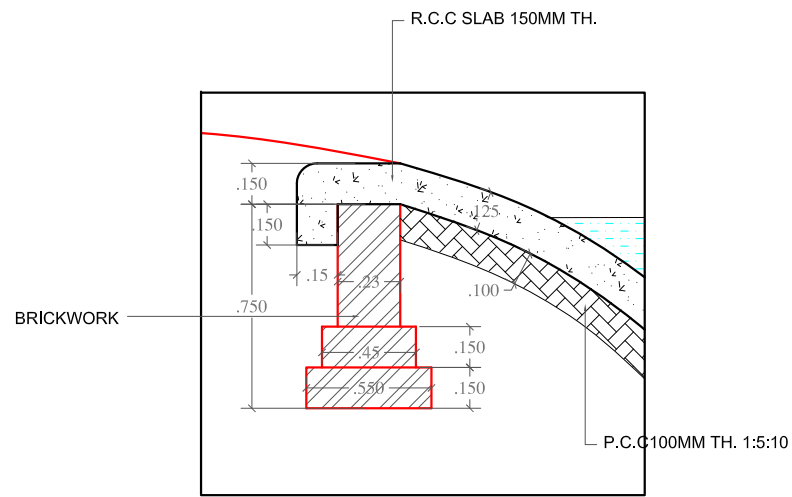
DATED : 09/07/2024

DZINE SPACE

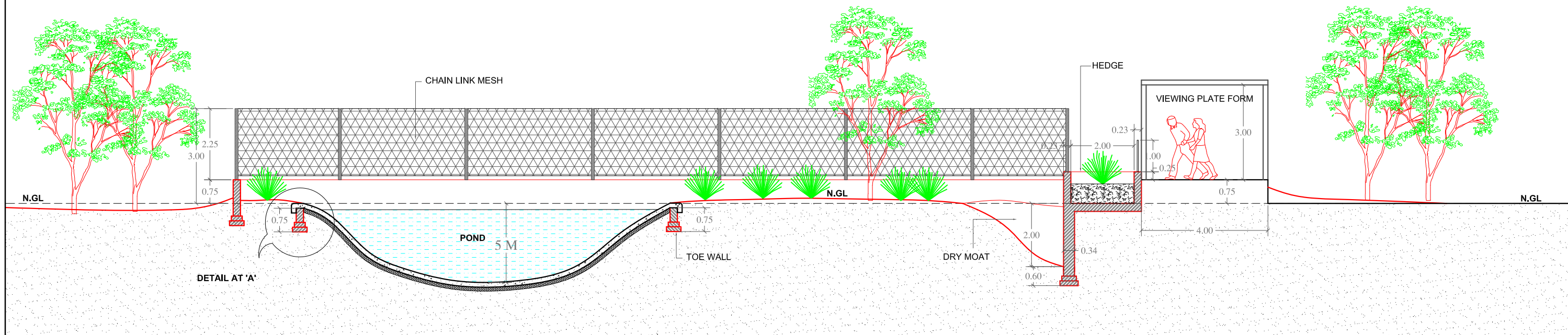
ENGINEERS & CONSULTANTS

B-37- 177/412, NEAR WATER TANK DUGRI LUDHIANA
 email: dzineenspaceengineer@gmail.com

POND SECTION DETAIL DETAILS



DETAIL AT 'A-A'



SECTION AT '1-1'

GENERAL NOTICE

1. DRAWING HAS BEEN ISSUED EXCLUSIVELY FOR THE PURPOSE OF INITIAL ANALYSIS OF EXISTING CONDITIONS OF THE ZOO AS PER DRAWING TITLE. PRIOR PERMISSION OF THE ARCHITECT IS NECESSARY FOR THE USE OF THIS DRAWING FOR ANY OTHER PURPOSE.
 2. ALL DIMENSIONS ARE IN METER.
 3. THE DRAWING IS TO BE READ NOT MEASURED.

DRAWING TITLE

GHARIAL ENCLOSURE DETAILS

SCALE : 1=500

DATED : 09/07/2024

DZINE SPACE

ENGINEERS & CONSULTANTS

B-37- 177/412, NEAR WATER TANK DUGRI LUDHIANA
 email: dzineenspaceengineer@gmail.com